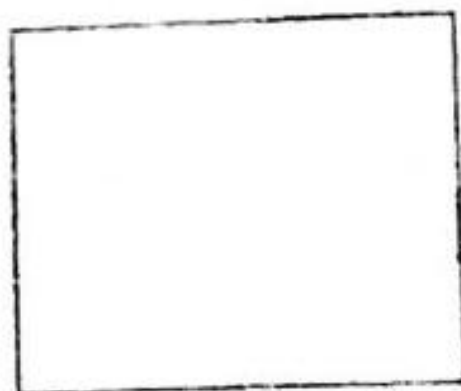




Total



Name.....

School

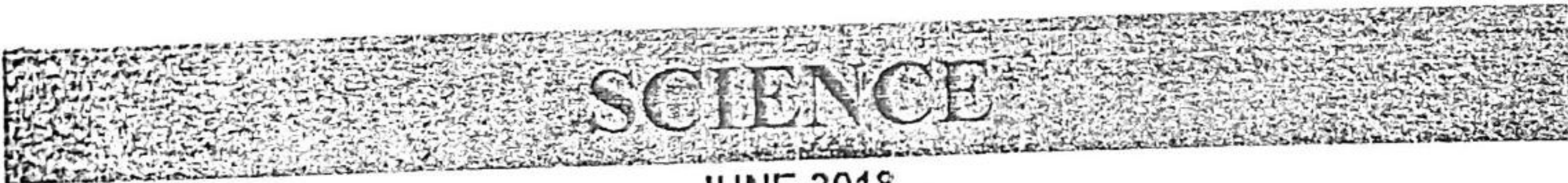
Roll No

REPUBLIC OF SOMALILAND

MINISTRY OF EDUCATION AND SCIENCE

SOMALILAND NATIONAL EXAMINATION AND CERTIFICATION BOARD

GRADE 8



JUNE 2018

2 HOURS

PLUS 10 MINUTES FOR READING THROUGH THE PAPER

INSTRUCTIONS

- This paper consists of 11 printed pages.
- Count them. Inform the invigilator if there are any pages or extra ones.
- Answer ALL questions in part 1 and part 2.
- Calculator, mobile and extra papers are not allowed.

This Exam consists of two parts:

Part One	:	20 Multiple Choice questions	40 Marks
Part Two	:	09 Structured questions	60 Marks
Total			100 Marks

Use this page for rough work. It will NOT be marked

A large section of the page consisting of multiple horizontal dotted lines, intended for rough work during the examination.

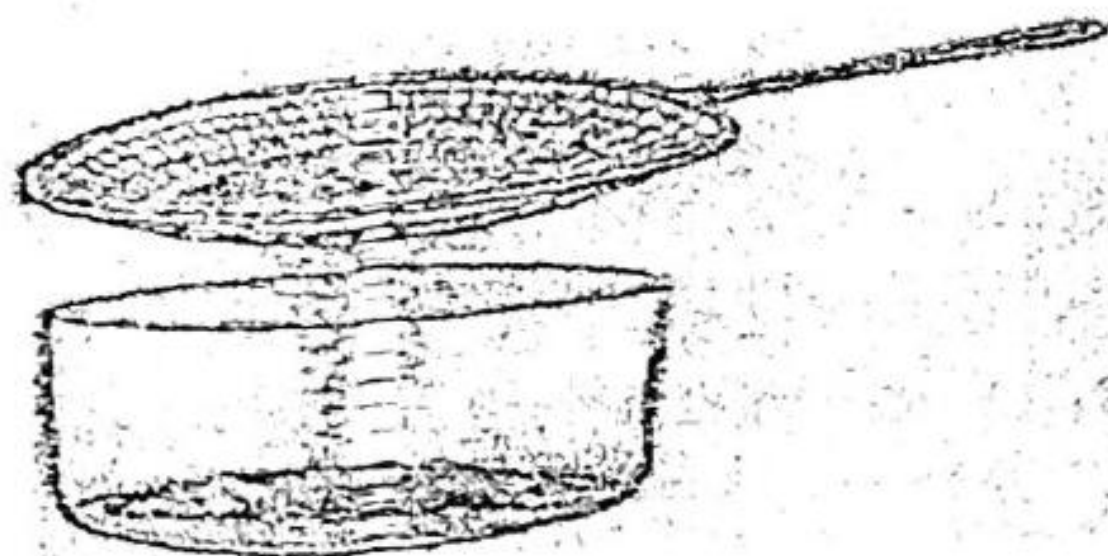
Part one Multiple choice questions (20 questions x 2 marks =40 marks)

1. The seven colors of the rainbow from the top are:-

- a) orange, yellow, green, blue, indigo, violet and red
- b) yellow, green, blue, indigo, violet, red and orange
- c) green, blue, indigo, violet, red and orange
- d) red, Orange, yellow, green, blue, indigo and violet

2. The following diagram indicates how to separate mixtures and is known as

- a) evaporation
- b) distillation
- c) winnowing
- d) sieving



3. Which one of the following is found in the nucleus of an atom?

- a) protons
- b) protons and electrons
- c) neutrons
- d) protons and neutrons

4. Sodium electrons are arranged as the following

- a) 2,8
- b) 2,6
- c) 2,8,8,1
- d) 2,8,1

5. Sodium atom loses an electron and becomes:

- a) positive ion
- b) negative ion
- c) neutral ion
- d) uncharged ion

6. Acids turn blue litmus paper into

- a) red
- b) yellow
- c) pink
- d) black

7. Which one of the following is measured by force?

- a) Kilogram(Kg)
- b) Gram(g)
- c) Milligram (Mg)
- d) newton (N)

8. A magnet attracts substances that are made up of:-

- a) paper, wood, and nickle
- b) Iron, cobalt and nickle
- c) iron, copper and brass
- d) copper, Aluminium and brass

9. Which one of the following is increased by heating of an aluminium bar?

- a) volume
- b) density
- c) weight
- d) charge

10. Which statement is **NOT** true about the usage of acids? Acids are used to:-

- a) remove rust
- b) preserve food
- c) clean metal
- d) make gastric acid

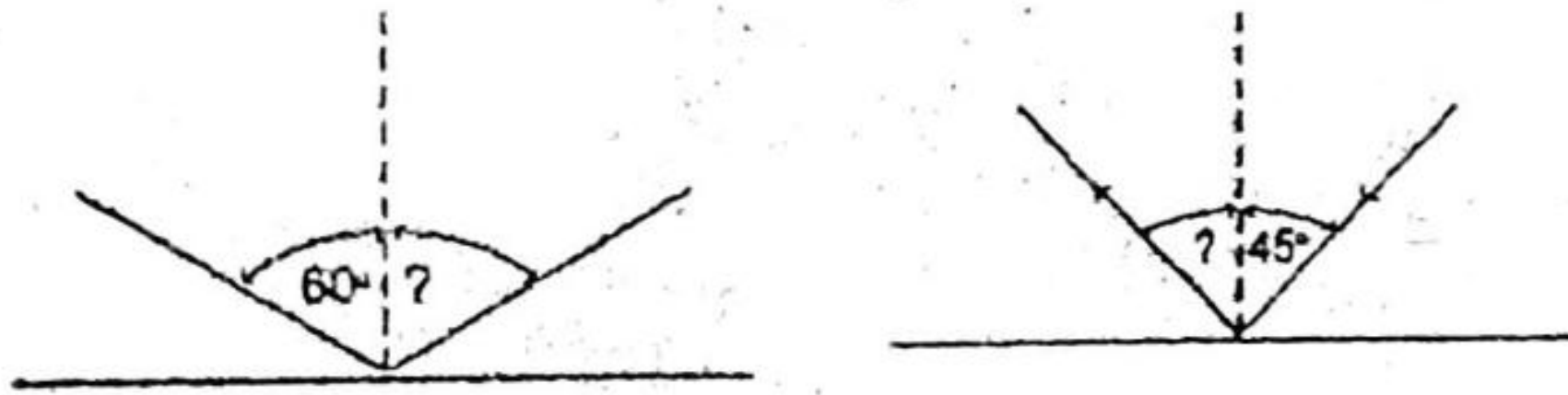
11. A car travelled 80m in a straight line with 4m/s. What is the time required to complete its journey?

- a) 20 s
- b) 84 s
- c) 48 s
- d) 20 s
- e) _____

12. Which of the following is **NOT** a good conductor?

- a) iron
- b) wood
- c) water
- d) silver

13. Find out the angle of reflection



- a) $60^\circ, 45^\circ$
- b) $61^\circ, 46^\circ$
- c) $62^\circ, 47^\circ$
- d) $63^\circ, 48^\circ$

14. Which one of the following carries blood from the heart to the different parts of the body

- a) aorta
- b) artery
- c) vein
- d) valve

15. How many chambers does the human heart consists of

- a) six chambers
- b) eight chambers
- c) four chambers
- d) two chambers

16. The part of the flower which develops into a fruit is

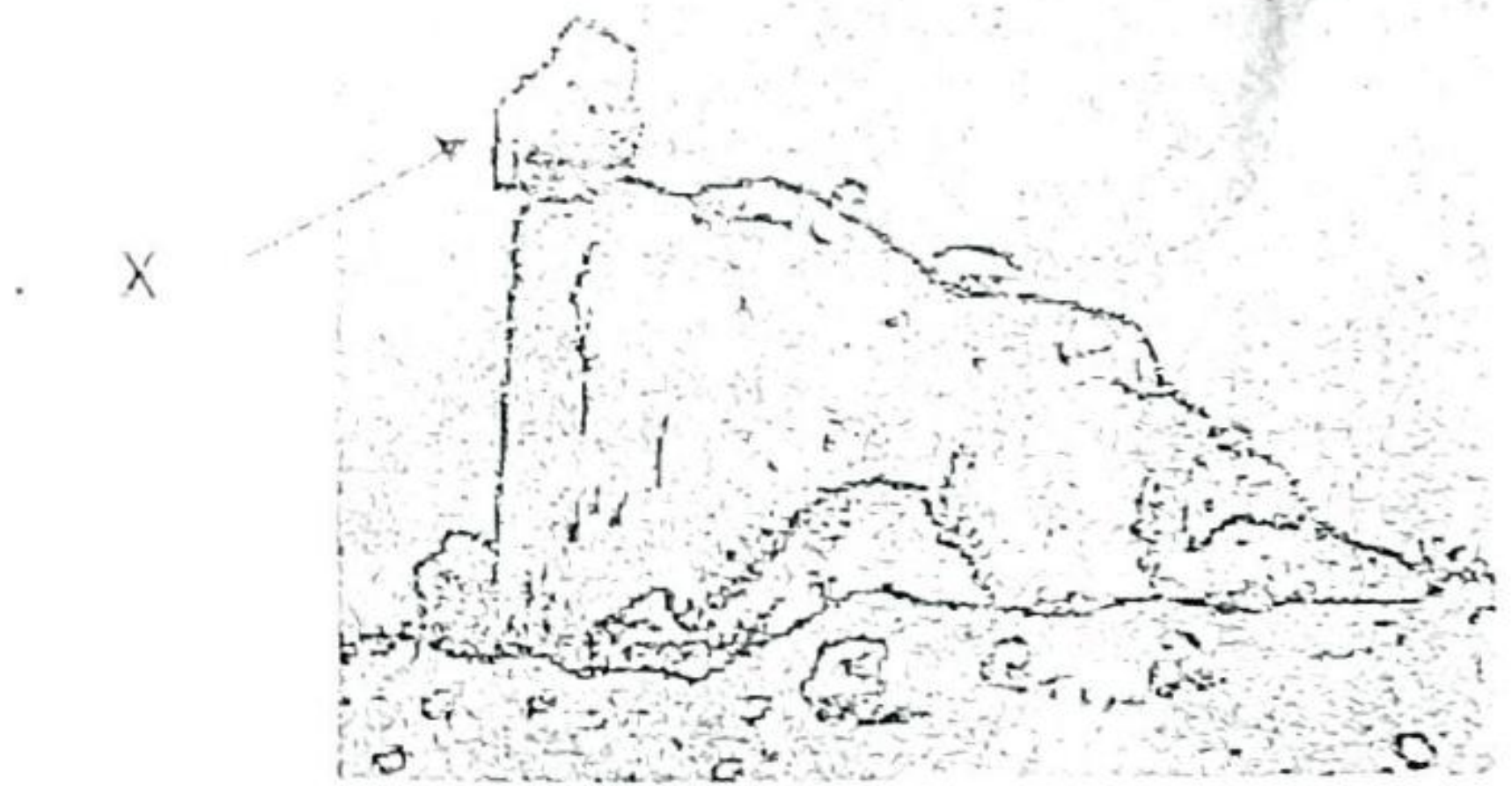
- a) style
- b) ovule
- c) ovary
- d) stigma

17. Which organ helps fish to breathe in water?

- a) mouth
- b) nose
- c) gills
- d) lungs

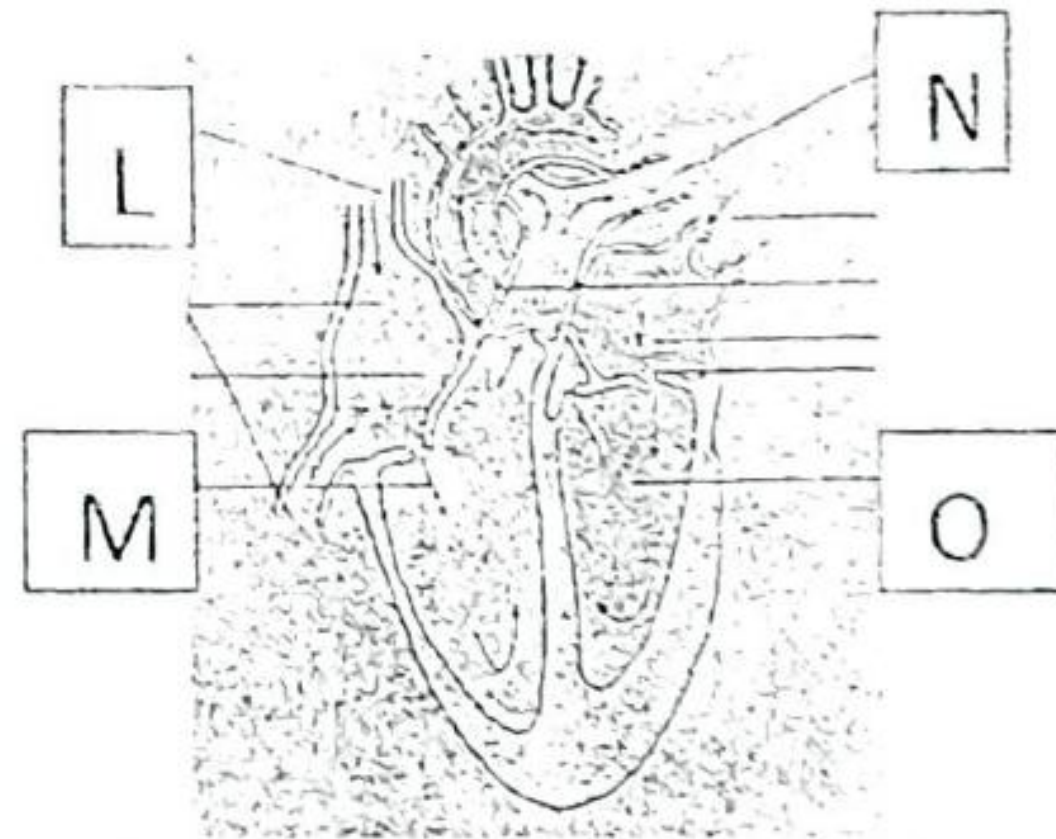
18. The energy stored in stone X is -

- a) kinetic energy
- b) magnetic energy
- c) chemical energy
- d) potential energy



19. Which arrow indicates a tricuspid valve ?

- a) L
- b) M
- c) N
- d) O



20. Which one of the following is the largest organ for excretion in human being

- a) Kidneys
- b) lungs
- c) liver
- d) skin

PART TWO STRUCTURED QUESTIONS

(60 MARKS)

1. a) Give a brief explanation about chemical equation?

.....

.....

.....

.....

.....

.....

.....

b) Write down two examples about chemical equations?

.....

.....

.....

.....

.....

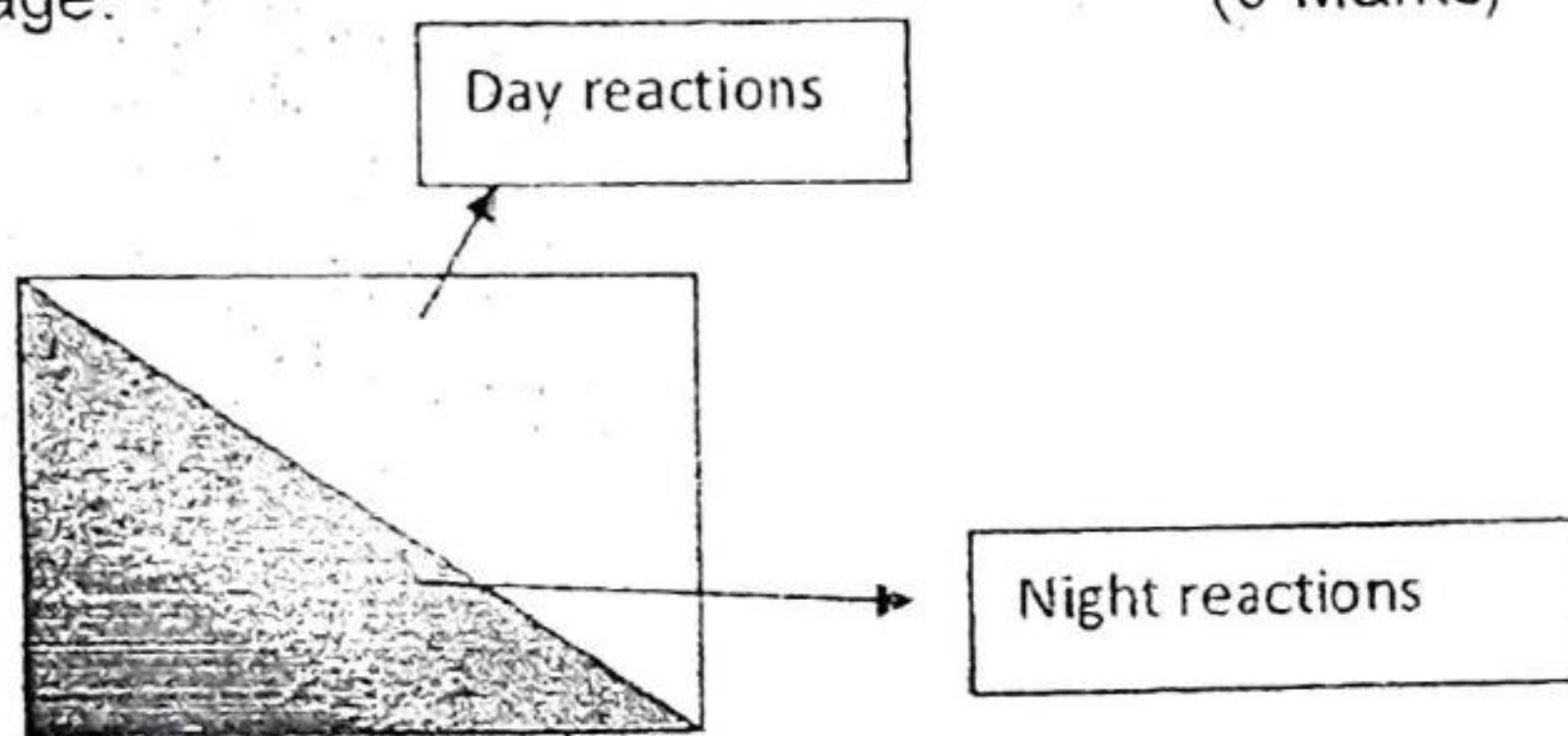
.....

.....

.....

2. Photosynthesis occurs in two stage.
Stage 1 (light reaction)
Stage 2 (dark reaction)

(6 Marks)



Briefly explain the chemical reactions that takes place in both stages?

.....

.....

.....

.....

.....

.....

.....

.....

3. a) List two common acids and bases, you come across in everyday life?

.....

.....

.....

.....

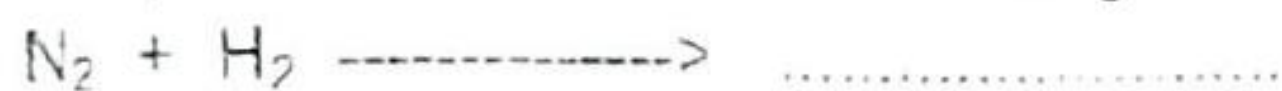
.....

.....

.....

.....

b). Complete and balance the following chemical equation



.....

.....

.....

.....

.....

.....

.....

.....

.....

.....

4. a) Differentiate the following terms velocity and speed?

.....

.....

.....

.....

.....

.....

.....

.....

.....

.....

b) How can we calculate the average velocity of an accelerated body?

.....

.....

.....

.....

.....

.....

.....

.....

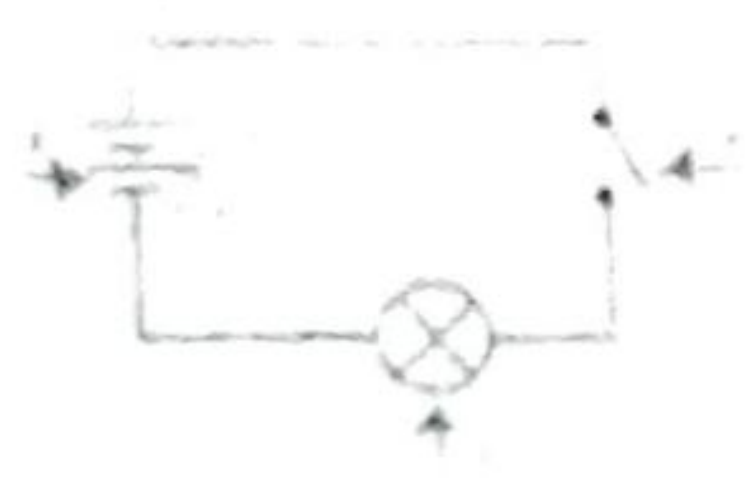
.....

.....

5. Study the following table and fill in the empty cells by writing:- Attract or Repel, according to the information given by the table?

One Pole of the magnet	The other pole of the magnet	Attract / Repel each other
N	N	
N	S	
S	N	
S	S	

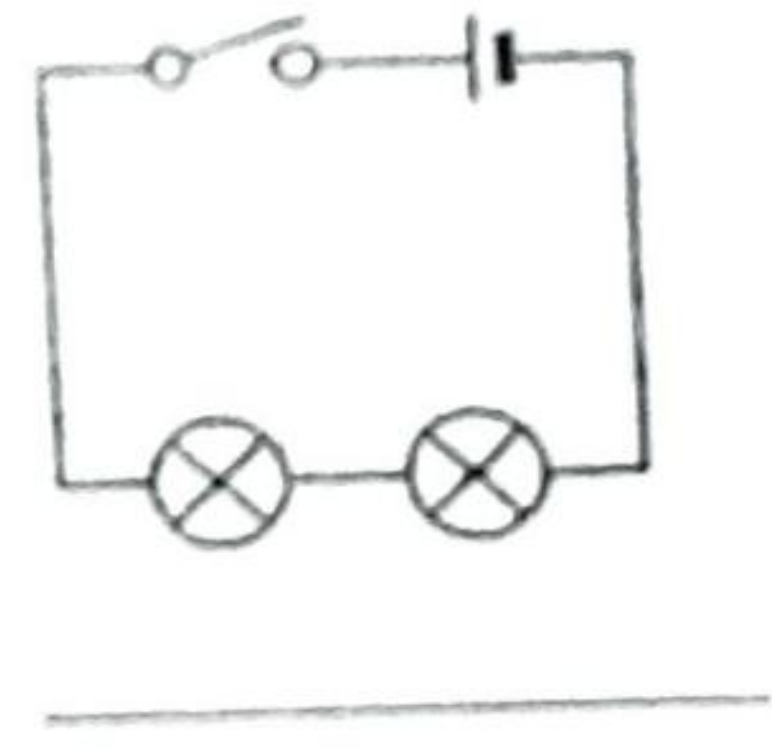
Diagram shows a complete electrical circuit.



a) Write down the labeled parts

- B _____
- T _____
- J _____

b) Identify the following circuits



7. a) Define the following terms

i. Bacteria

.....

ii. Virus

.....

iii. AIDS

.....

b) Enlist seven steps to be taken to control HIV infection and AIDS

.....
.....
.....
.....
.....

8. Make a comparison in between methods of chicken rearing?

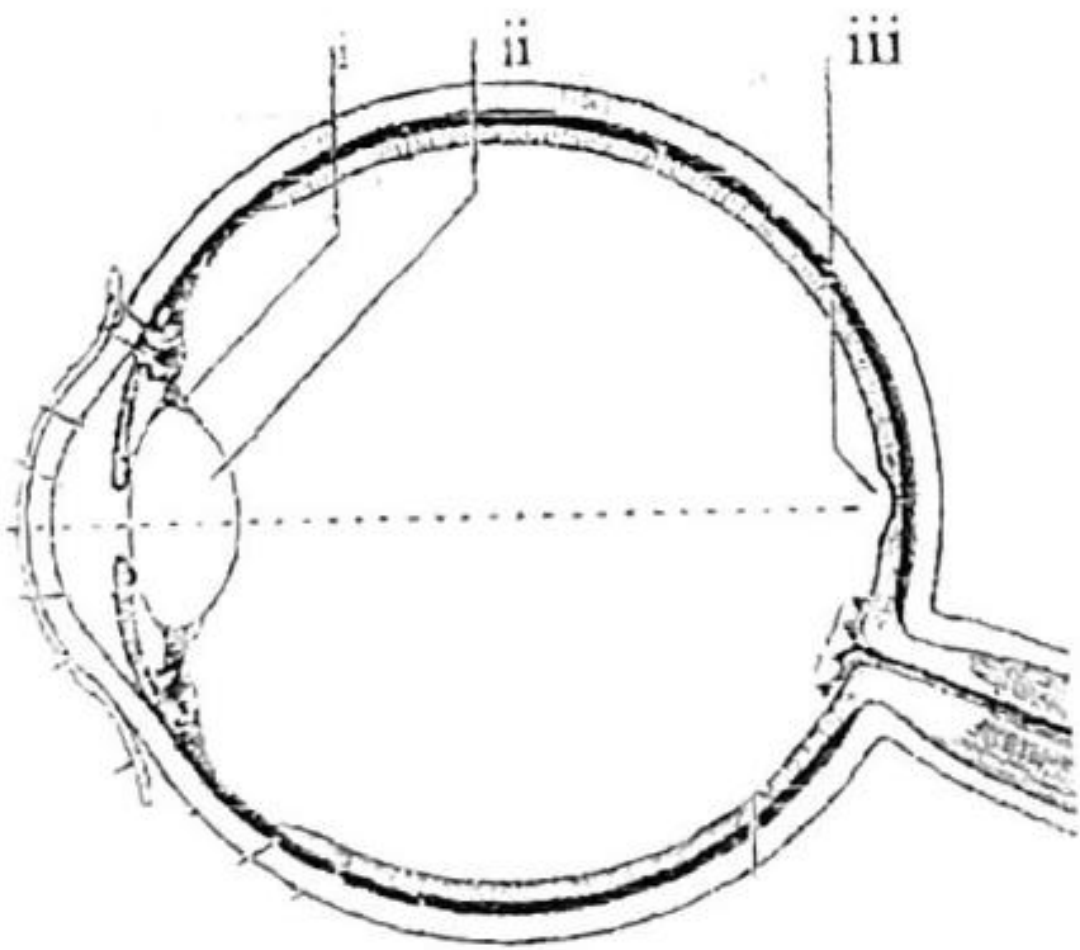
a) Advantage of free range system

.....
.....
.....
.....

b) Disadvantage of free range system

.....
.....
.....
.....
.....
.....

9.a) Study the following diagrams



Label the indicated parts of the human eye

i. _____
ii. _____
iii. _____

b) Sometimes the ciliary muscles contract

i) When do they contract?

.....
.....
.....
.....
.....

ii) Why do they contract ?

.....
.....
.....
.....
.....

....End....